

# Lever handle AJ97, small - brass

## Arne Jacobsen collection

**Product**

Snap-on cover, cc 30/38mm, 33-59mm.

**Tender text**

Arne Jacobsen collection, lever handle AJ small pair, 8x8mm, snap-on cover, cc 30/38mm, 33-59mm in polished brass. Certified in accordance with EN 1906 to 47-B1140U. 20-year warranty.

Re-handle® this product to prolong its life span up to 100 years, lowering the Global Warming potential (CO2).

[Re-handle your product here](#)

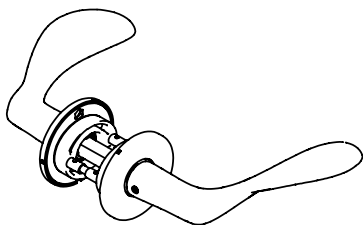
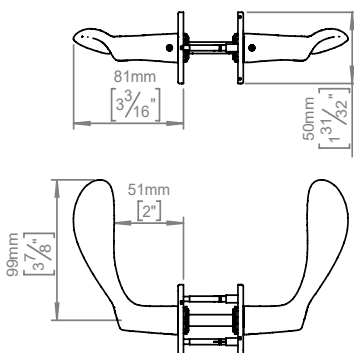
**Product specification**

Dimensions: 124x50x80mm

Material: brass

Surface finish: polished

[20-year warranty \(5 years for coated items\)](#)


**Available finishes**


Please note: PWD and powder coated items cannot be Re-handled

**Spare parts/ accessories**

14970102019 - Grub screw M5x8,3mm  
 14296174107 - Sectioned bolt set M4x10mm with bush  
 14285092092 - Spindle for door 33-59mm  
 14976700105 - TX10 tool kit  
 14293002002 - Snap-on cover tool

**Mounting**

<https://dline.com/mounting-instructions/>

**Product care**

d line products are produced in the highest quality brass. To sustain the unique d line finish please follow the below instructions:

- Wash down the surfaces using soapy water or mild detergent
- Always thoroughly rinse off with clean water
- To complete the cleaning procedure dry/polish the surface with a soft dry cloth

Please do not use scouring powder, steel wool, chloride based detergents or other aggressive cleaning products as these may damage the surface.

If spots or corrosion appear on the surface it is not due to the stainless steel quality, but to impurities in the environment, aggressive conditions or improper or insufficient cleaning.