

SHAHIN XL

Product



Colours



Description

This is a larger edition of our Shahin lamp. This lamp is intended as the perfect addition to the dining room, hall or anywhere you need a beautiful lamp with a beautiful and calm lighting.

Dimensions

Lamp height	65	cm
Lamp diameter	Ø38	cm
Canopy size	Ø12x2,5	cm
Wire length	250	cm
Item weight	4	kg

Material

Mouth blown glass, brass and textile cord.

Shahin XL

EAN: 5713874290037

Style No.: 29003

Package information

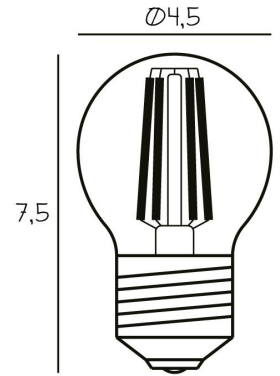
Package type: Cardboard box
 Package Measurement:
 L - 59 x W - 44 x H - 47 cm
 Package weight - Total: 4,9 kg
 Number of parcels: 1 pcs.
 Colli quantity: 1 pcs.

Contents

- Lamp
- Cord
- Base

Light source

Recommended bulb type: Arbitrary bulb Ø45
 Socket: E14
 Voltage: 220 - 240 V (CE)
 110 V (US)
 Max. light output:
 3,5 W LED
 Colour Temp.: 2200 Kelvin
 Lumen: 245
 Dimmable: Yes
 Lightbulb incl.: No



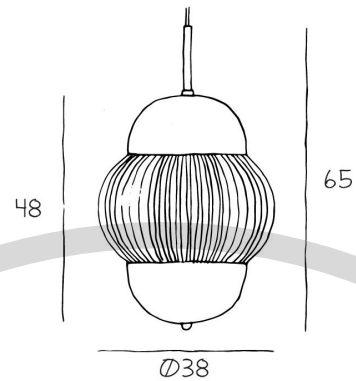
Use restrictions


Environment - Indoors
 IP Classification - IPXX
 Certifications and labels

Safety instructions

If the cord or other electrical parts are damaged, switch off the lamp and do not use it until it is repaired by a qualified electrician.

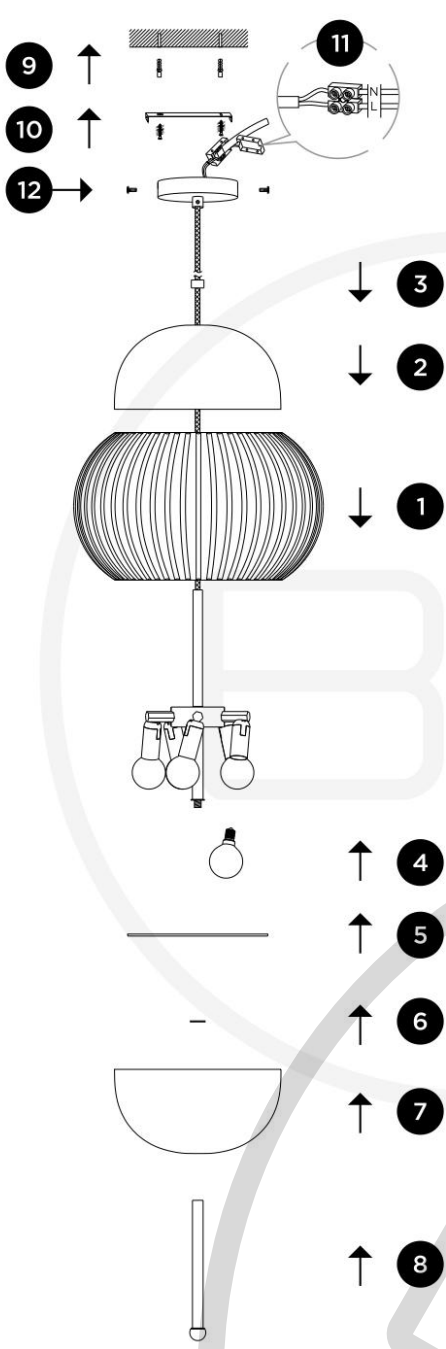
Technical drawing





SHAHIN XL

MOUNTING INSTRUCTIONS



NB! When handling this lamp please always handle with care as this is a **fragile product**.

NB! Always read the mounting instructions before mounting. If you do not feel comfortable please call a qualified electrician.

NB! For best light distribution always use frosted bulbs. Max 40W in total.

- 1 Lower the white glass shade onto the base.
- 2 Carefully place the clear glass shade and make sure it is placed correct.
- 3 Lower the metal ring onto the glass and press slightly while tightening the hex screw.
- 4 Mount all bulbs.
- 5 Turn the lamp upside down and place the frosted disc over the thread.
- 6 Place the small protective disc on top of the frosted disc.
- 7 Carefully place the second clear glass shade and make sure it is placed correct.
- 8 Lower the metal tube onto the glass and press slightly while twisting and tightening.
- 9 Always use the right plugs for your ceiling to mount the lamp securely.
- 10 Always make sure to use the correct screws to make sure lamp is securely fastened.
- 11 Shorten the cord if necessary and connect it to the circuit.
- 12 Mount the canopy to the bracket with the two provided screws and tightening the hex screw.