

BUSTER + PUNCH

LONDON

[product.]

DOOR HANDLE SET / UNSPRUNG (SWEDEN)

[motion. **LEVER.**]

[type. **UNSPRUNG.**]

[knurl. **LINEAR.**]

[range. **DOOR HARDWARE.**]

[region. **SWEDEN.**]

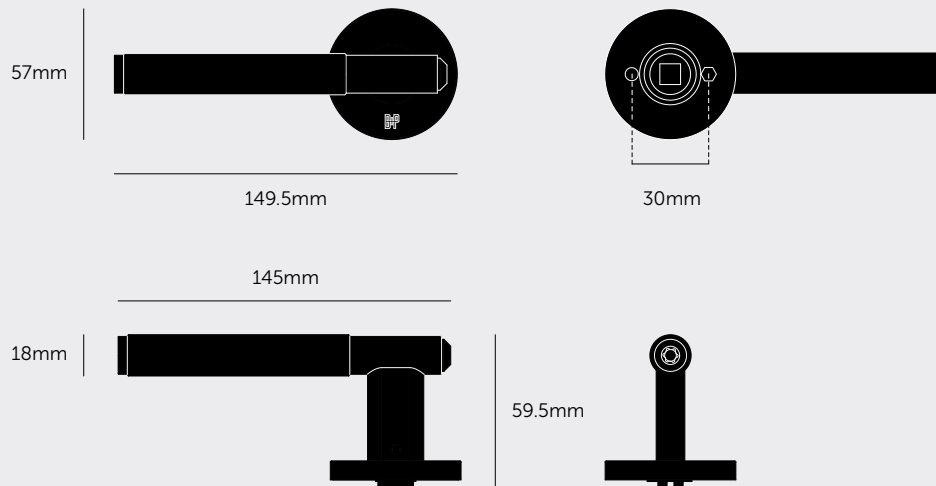
A pair of unsprung door handles made from solid metal and featuring our elegant linear-knurl detailing, torx screws and laser etched Buster + Punch insignia. Works great on all internal doors and can be combined with our matching door accessories.

Available in 4 metal finishes: steel, brass, gun metal and welders black.



[type. **UNSPRUNG.**]

[info. **MEASUREMENTS.**]



[info. **SPECIFICATIONS.**]

A pair of solid metal door handles, with an 4 mm thick unsprung* rose. Designed for use with Swedish & parts of Scandinavia (centre distance 30 mm) specific latches. Compatible with either tubular latches or mortise locks. Suitable for interior doors only. Our door lever handle sets have not been tested using split spindles.

Fits doors of thicknesses: minimum 35 mm to maximum 65mm (with supplied fixings**)

*Please ensure that your door latch is heavily sprung and does not require assistance to spring the door handle back to the original position.

**For thicker doors, longer through bolts and a longer spindle will need to be sourced.

[info. **FINISH & SKU NUMBERS.**]

[finish.]

● Steel

● Brass

● Gun Metal

● Welders Black

[sku.]

SDD-072065

SDD-052066

SDD-352068

SDD-592067

[info. **CARE INSTRUCTIONS.**]

Wipe with damp cloth with no loose hairs, avoid using any chemicals. Please note all finishes are prone to aging.

[info. **INCLUDED.**]

1 x pair of Unsprung Door Handles

2 x M4 x 60 mm Male Through Bolts

2 x M4 x 20 mm Female Through Bolts

1 x 5 mm x 5 mm x 112 mm Square Spindle

2 x 5mm to 8mm Spindle Adapters (pre-installed)

1x Torx Screw Tool

1 x 2 mm Allen Key

[please. **NOTE.**]

DISCLAIMER: Always consult a trade professional when installing these door handles. Buster + Punch is not responsible for the usage or feasibility of installation requirements. This product is not suitable for damp or wet environments.